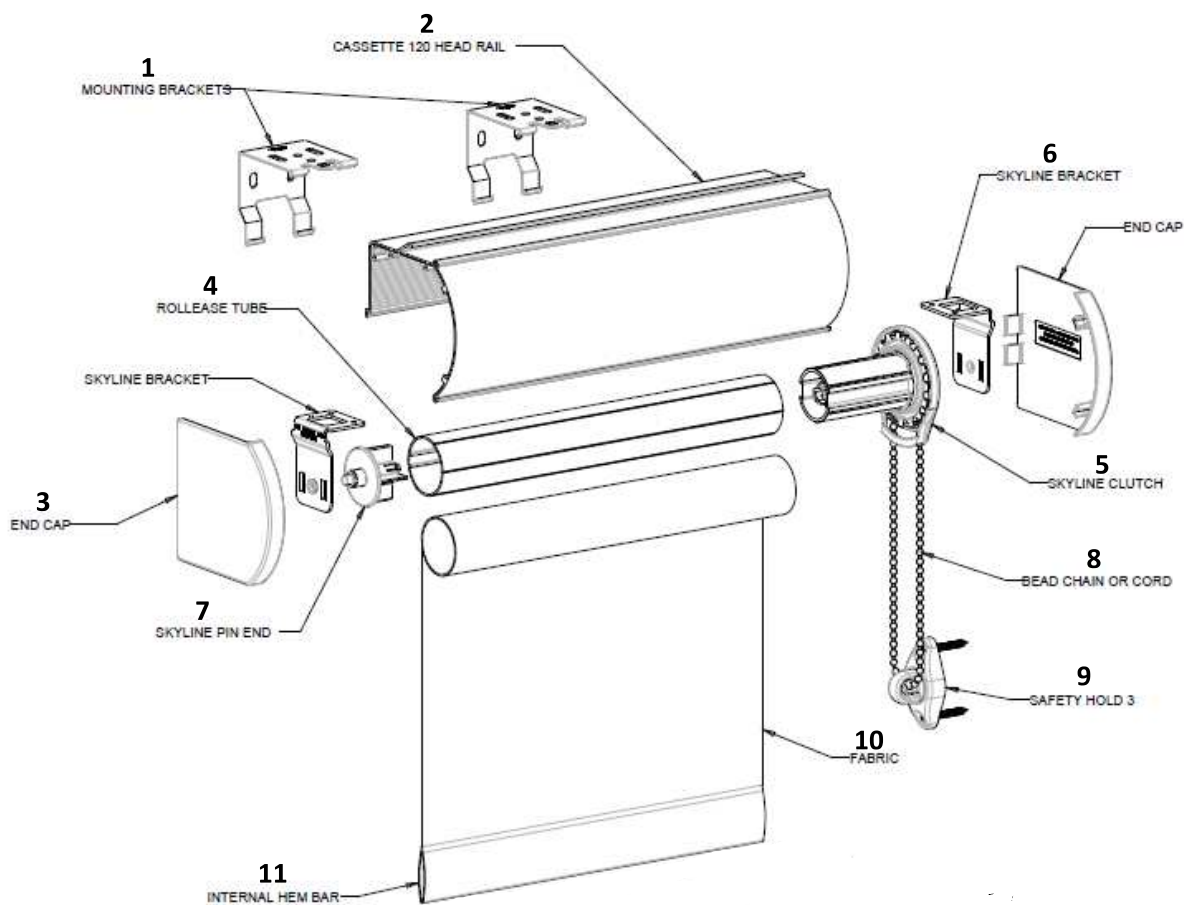


Skyline Cassette 120 System Diagram

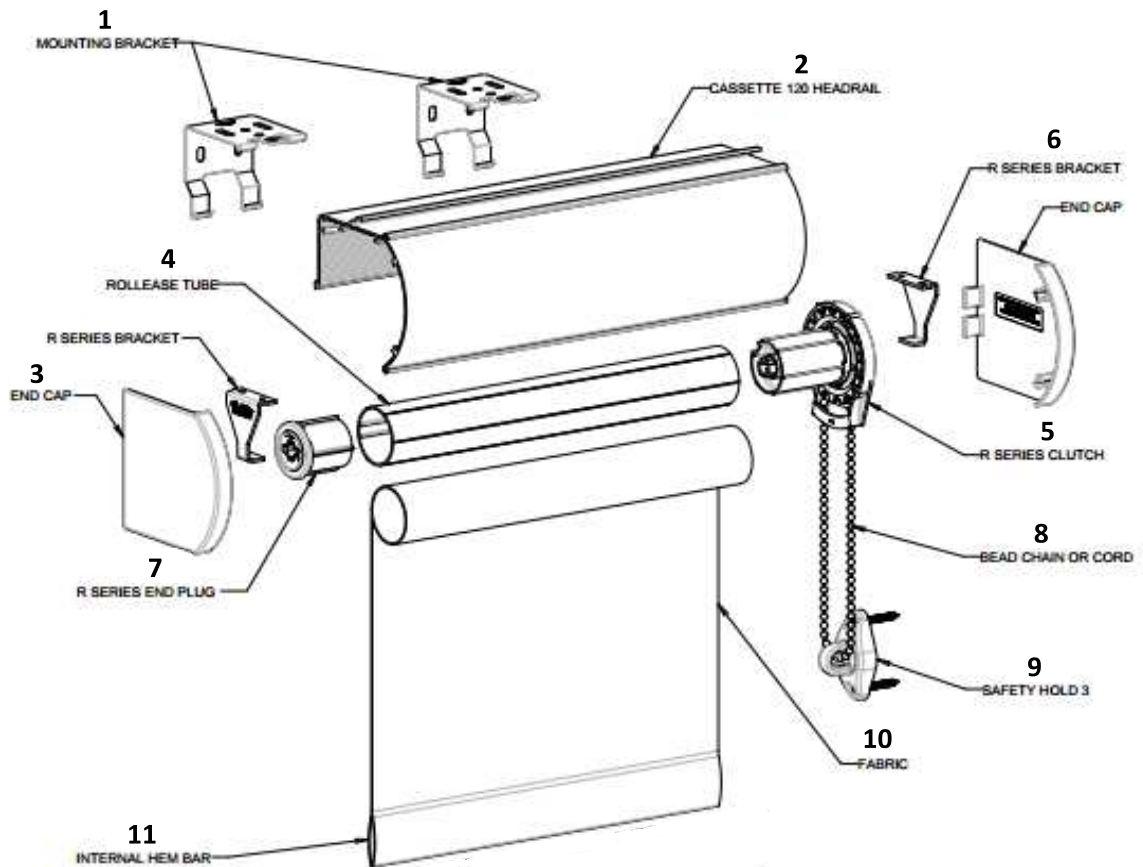


1	Mounting Brackets
2	Cassette 120 Headrail
3	End Cap
4	RollEase Tube
5	Skyline Clutch
6	Skyline Bracket
7	Skyline Pin End (Idler)
8	Bead Chain or Cord
9	SafetyHold 3
10	Fabric
11	Internal Hem Bar

Maximum Roll Diameter is 2-7/8"

Cassette 120 Headrail is
3.88" Tall x 4.43" Wide

R-Series Cassette 120 System Diagram



1	Mounting Brackets
2	Cassette 120 Headrail
3	End Cap
4	RollEase Tube
5	R-Series Clutch
6	R-Series Bracket
7	R-Series End Plug (Idler)
8	Bead Chain or Cord
9	SafetyHold 3
10	Fabric
11	Internal Hem Bar

Maximum Roll Diameter is 2-7/8"

Cassette 120 Headrail is
3.88" Tall x 4.43" Wide



Skyline & R-Series – Inside & Outside Mount Cassette 120 Installation

Step 1: Carefully remove shade from the box and package wrapping.

TIP: Installation is the same in both Skyline and R-Series applications. However, deduction data will vary.

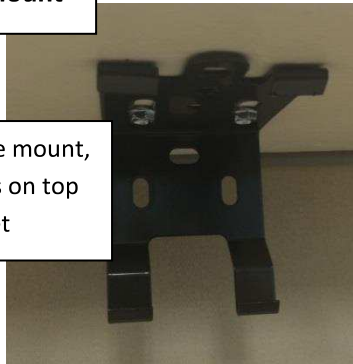
Step 2: Install Mounting Brackets using correct screws.

2a. Mounting Brackets should be placed approximately every 18"

Inside Mount



For inside mount,
use holes on top
of bracket



Outside Mount

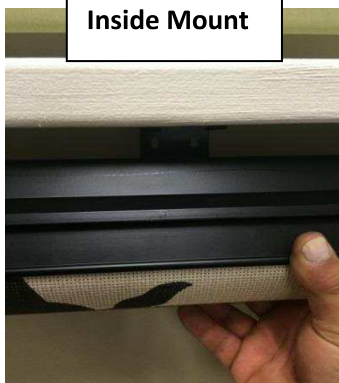


For outside mount,
use holes on the back
of bracket

Step 3: Install Headrail

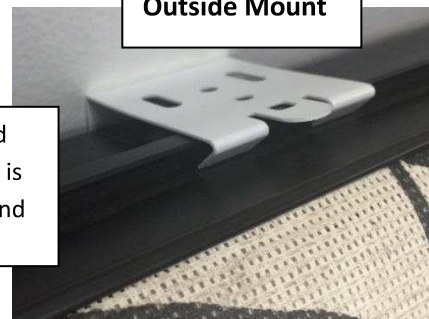
3a. Snap Headrail into place by sliding groove in headrail into the mounting bracket and snapping upwards to lock headrail in place

Inside Mount



Be sure the hooked
part of the bracket is
fully engaged around
the headrail

Outside Mount



Step 4: Install Tension Device

4a. See instructions for Safety Hold3

**Skyline & R-Series – Inside & Outside Mount
Cassette 120 Installation**

**Installed Shade
Inside Mount**



**Installed Shade
Outside Mount**

