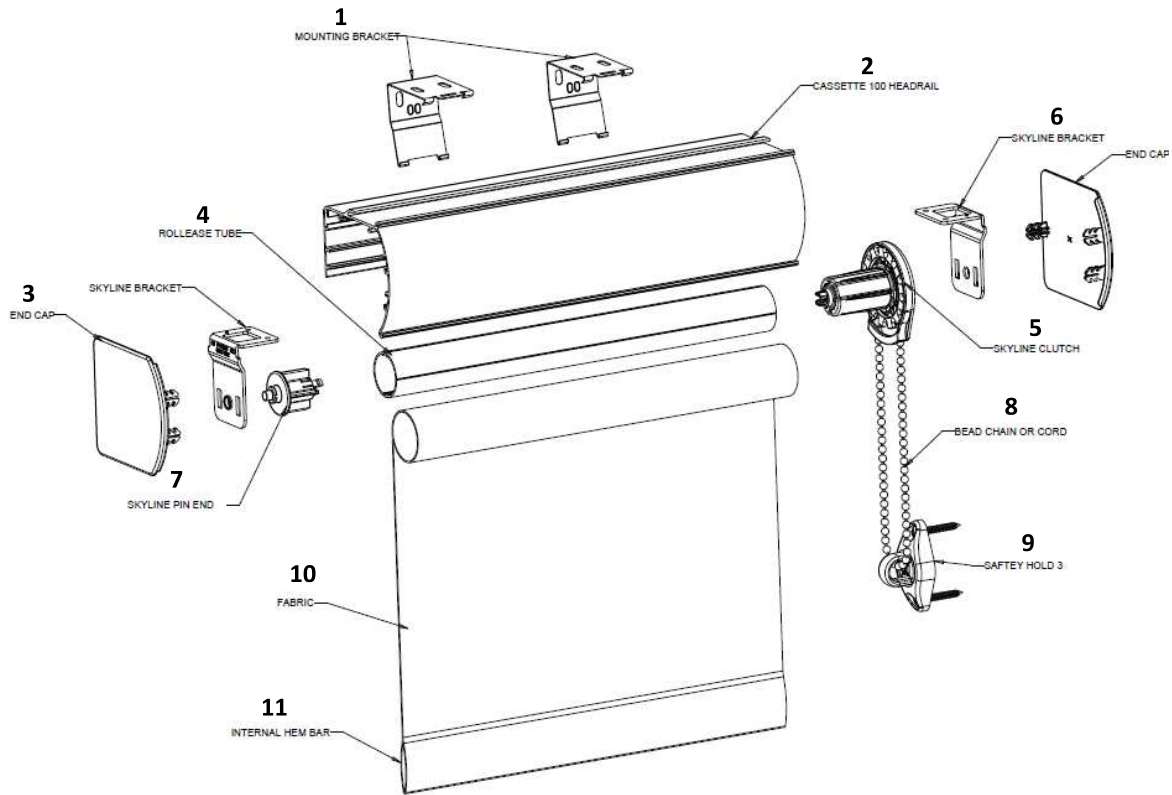


### Skyline Cassette 100 System Diagram

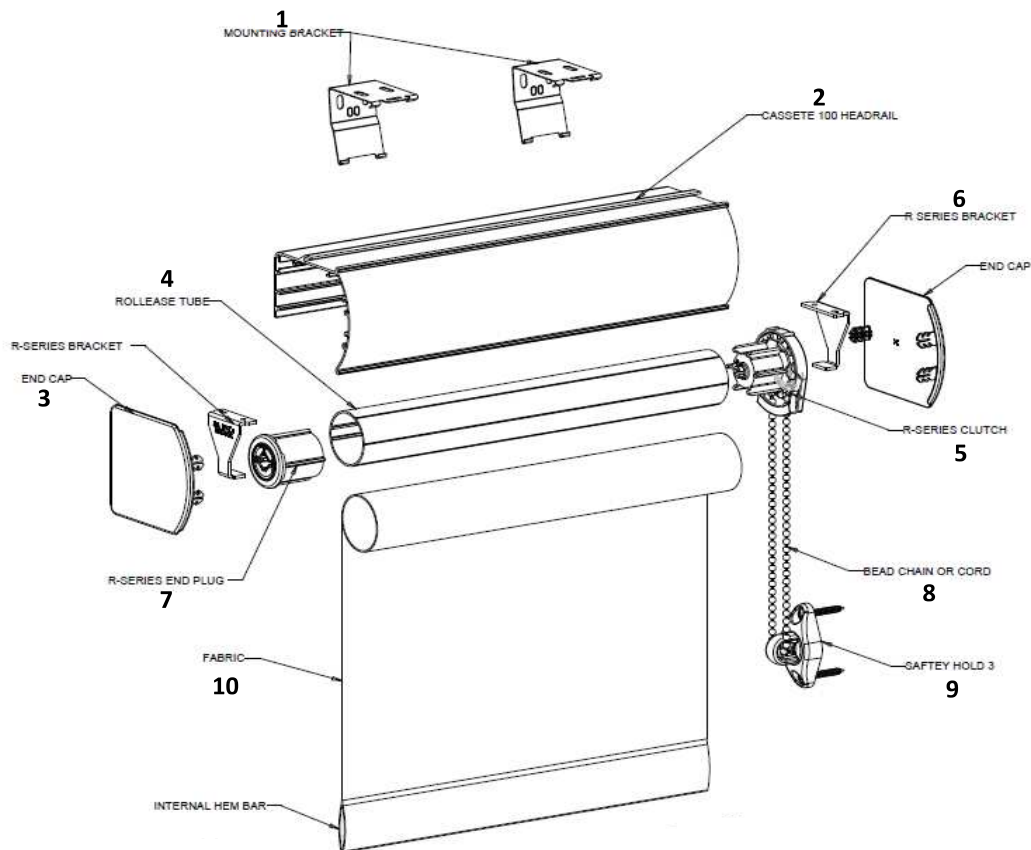


1	Mounting Brackets
2	Cassette 100 Headrail
3	End Cap
4	RollEase Tube
5	Skyline Clutch
6	Skyline Bracket
7	Skyline Pin End (Idler)
8	Bead Chain or Cord
9	SafetyHold 3
10	Fabric
11	Internal Hem Bar

Maximum Roll Diameter is 2-1/2"

Cassette 100 Headrail is  
3.10" Tall x 3.72" Wide

### R-Series Cassette 100 System Diagram



1	Mounting Brackets
2	Cassette 100 Headrail
3	End Cap
4	RollEase Tube
5	R-Series Clutch
6	R-Series Bracket
7	R-Series End Plug (Idler)
8	Bead Chain or Cord
9	SafetyHold 3
10	Fabric
11	Internal Hem Bar

Maximum Roll Diameter is 2-1/2"

Cassette 100 Headrail is  
3.10" Tall x 3.72" Wide



### Skyline & R-Series – Inside Mount & Outside Mount Cassette 100 Installation

**Step 1: Carefully remove shade from the box and package wrapping.**

TIP: Installation is the same in both Skyline and R-Series applications. However, deduction data will vary.

**Step 2: Install Mounting Brackets using correct screws.**

**Tip: Mounting Brackets should be placed approximately every 18"**

**Inside Mount**



For inside mount,  
use holes on top  
of bracket

**Outside Mount**



For outside mount,  
use holes on the back  
of bracket

**Step 3: Install Headrail**

**Snap Headrail into place by sliding groove in back of headrail into the bottom of the mounting bracket. Push forward and up, snapping the headrail into the top of the mounting bracket.**



Be sure the hooked  
part of the bracket is  
fully engaged around  
the headrail

**Skyline & R-Series– Inside & Outside Mount  
Cassette 100 Installation**

**Step 4: Install Tension Device (See instructions for Safety Hold3)**

**Installed Shade: Inside Mount**



**Installed Shade: Outside Mount**

